

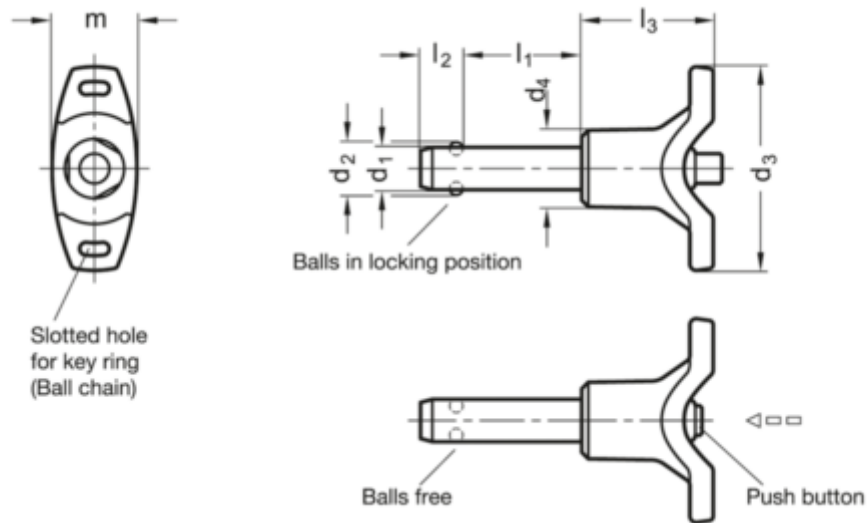
Data Sheet



Article number: 2011371690

Description: E+G stainless steel-ball lock pin
GN 113.7-16-90

Measures



d1	= 16	m	= 27.5
d2	= 19	Resilience (N)	= 155
d3	= 58	Weight in (g)	= 239
d4	= 24		
l1	= 90		
l3	= 36.5		
l2 ±0.2	= -		
l2 ±1	= 14		